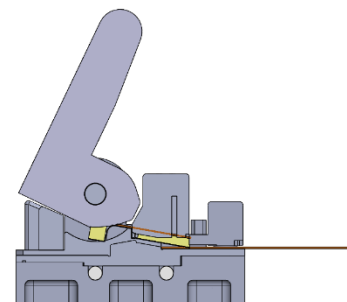
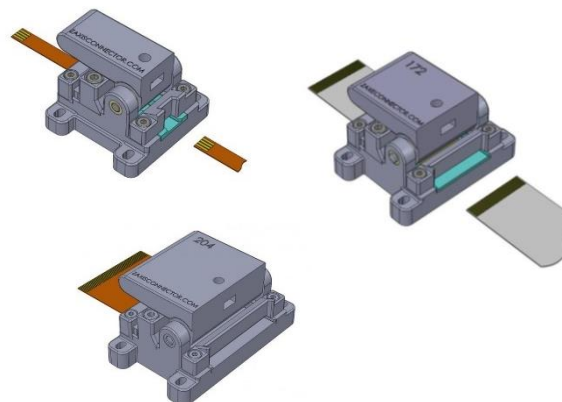
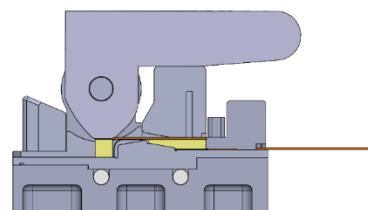


## 0.5mm FFC/FPC Test Fixture

Test fixtures for standard FFC/FPC devices. Patented soft-actuation elastomeric contact rated for 10,000+ cycles. Multiple fixture termination options. Bench mountable, hassle-free, drop-in solution.



Open State



Closed State

Features	Benefits
High mate cycle durability	Reliable long-term use with >10,000 mate cycles, reducing downtime and costs.
Low insertion force	Protects FFCs from damage during insertion and removal, ensuring consistent test results.
High-speed compatibility	Suitable for testing high-speed signals such as LVDS.
Field replaceable	Easy maintenance and reduced downtime with quick part replacements.
Custom fixture options	Tailored to specific customer requirements, from pin count to unique PCB footprints.

### Electrical Properties

Item	Value
Contact Resistance	< 20 milliohm
Current Rating	500 milliamperes per 0.015" pad
Capacitance Between Conductors	< .3pf between pads
Inductance	< 0.05 nanohenries from 5 to 500 khz
Dielectric Withstanding Voltage	500V rms, minimum

### Mechanical Properties

Item	Value
Insertion Force	< 0.8 N
Retention Force	> 10 N
Fixture Material	VeroClear plastic or 6061 aluminum

Device Pin Count	Fixture PN	2D Drawing
2-20	MUS	<a href="#">url link</a>
21-40	MUM	<a href="#">url link</a>
41-60	MUL	<a href="#">url link</a>
61-80	MUX	<a href="#">url link</a>